



Carbon Dioxide (CO₂) Gas Feed Systems & Equipment

Hydro Instruments has been manufacturing vacuum induction gas feed equipment since 1978. In addition to Chlorine, Sulfur Dioxide, and Ammonia gas feeders, we offer a range of products for feeding Carbon Dioxide gas.

Quality

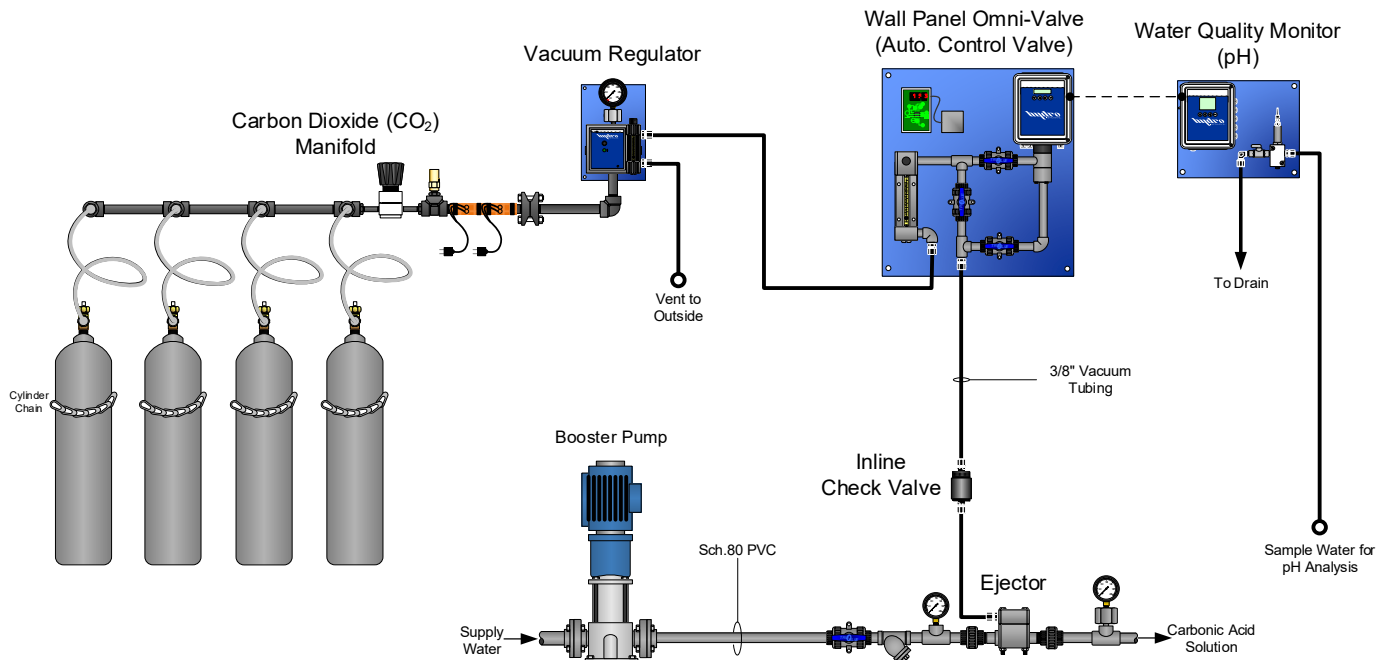
With solid machined parts, only the finest materials and the most innovative designs, our line of gas feed systems and related instrumentation is the highest quality available in the world. Our warranty backs-up this claim – it's the longest on the market.

Safety

Because our systems are designed to feed gases under vacuum, pressurized chemical lines can be minimized so that potential pressurized leak paths are kept to an absolute minimum. At Hydro Instruments, a skilled technician tests every unit and verifies its proper and safe operation.

Complete Line of Products

- Vacuum Feed Systems (Up to 8,000 PPD / 160 Kg/h)
- Automatic Feed Control Valves
- CO₂ Graduated Meters
- Pressure Manifolds (Connect up to 5 Cylinders or Bulk Tanks)
- Pressure Relief Valves
- Pressure Reducing Valves
- Pressure Gauges
- pH Monitors



600 Emlen Way, Telford, PA 18969 • Telephone: (215) 799-0980 • Fax: (215) 799-0984
US Toll Free: (888) 38-HYDRO • www.hydroinstruments.com • sales@hydroinstruments.com